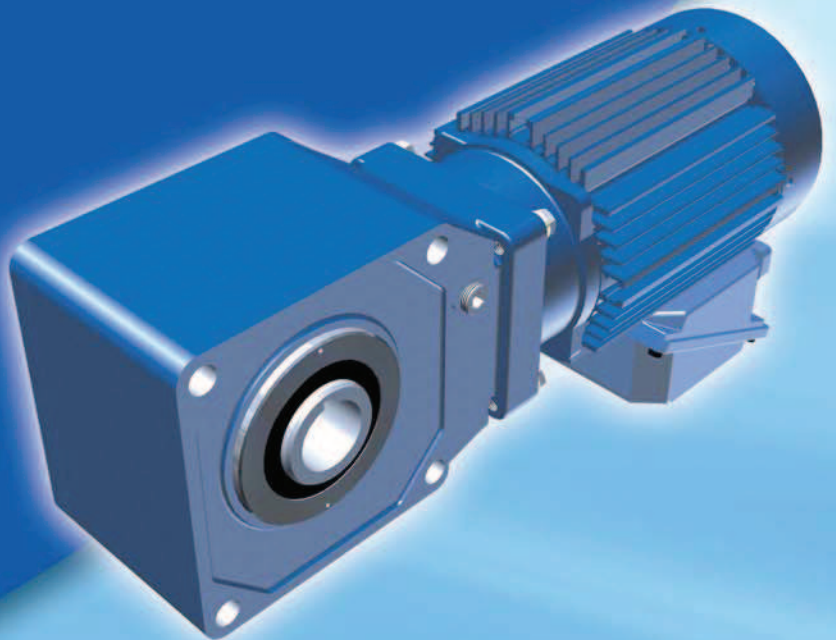


Sumitomo Drive Technologies
Always on the Move

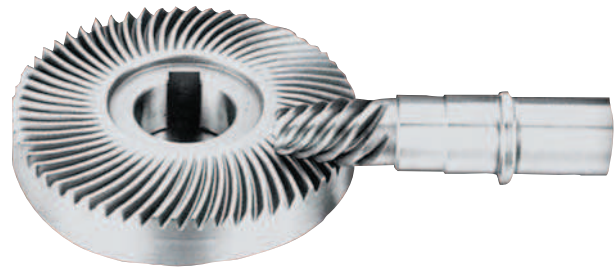
Hyponic[®]

Hypoid Right Angle
Gearmotor and Reducer





Patented, High-Performance Gearmotors and Reducers Featuring All-Steel Hypoid Gearing



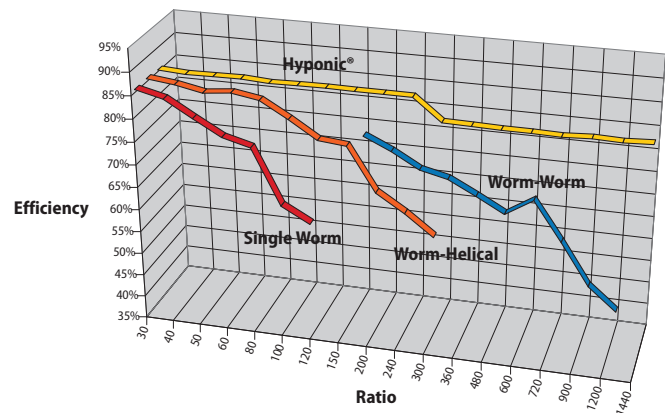
U. S. PAT. NO. 5,203,231; U.S. PAT. NO. 5,375,479

▶ Outstanding Efficiency Saves Money

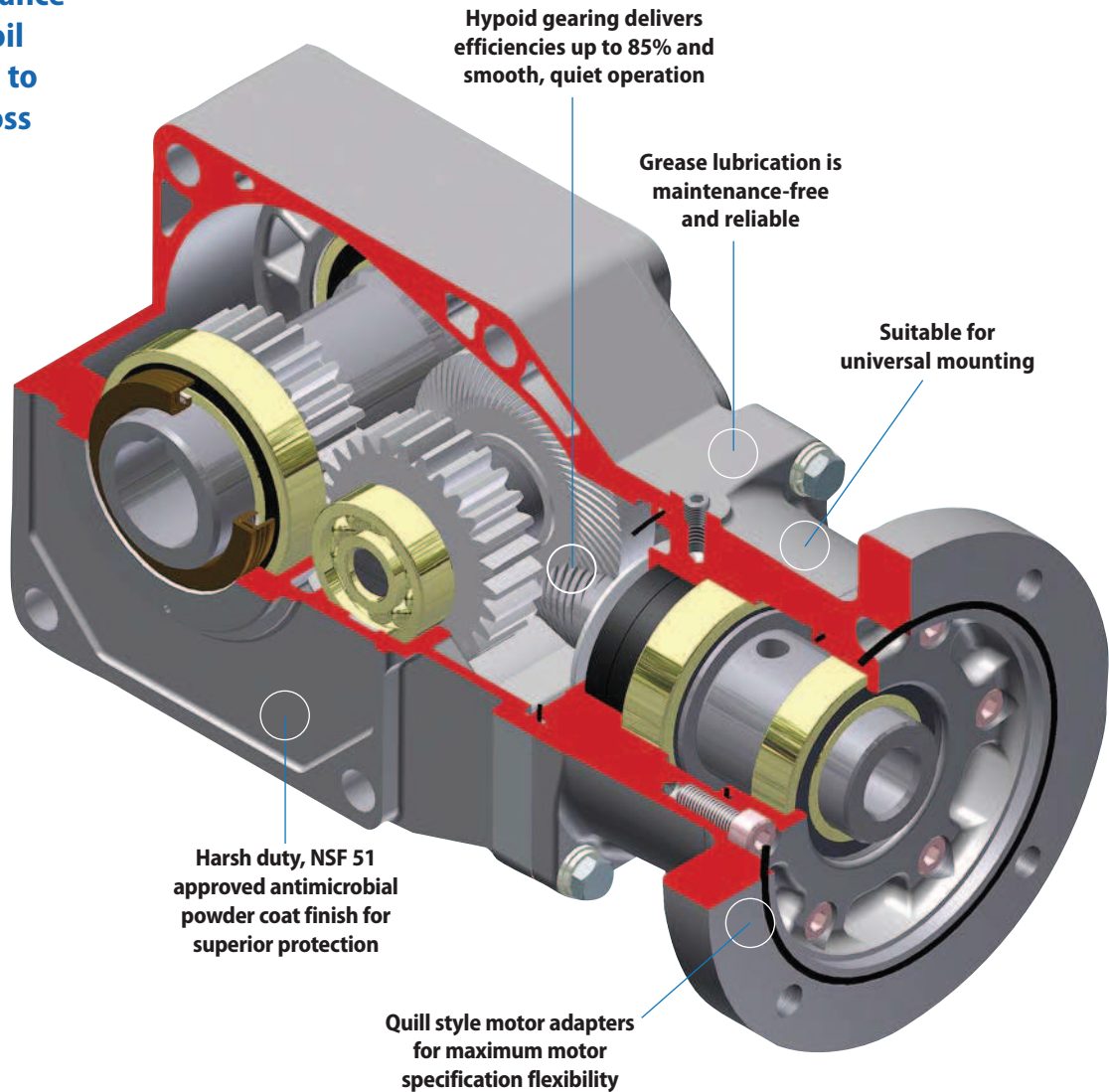
Efficiencies far higher than worm gearing. Highly efficient across all ratios. No cooling fans required.

Hyponic[®] hypoid gearing demonstrates efficiencies of 80-85% within the range of 30 to 1440:1.

To request a catalog, or for more information on any of our high quality products, please visit our Website:



- ▶ Grease lubricated design is maintenance free, requires no oil changes and is up to 85% efficient across all ratios



Quiet, Compact and Maintenance-Free

- ▶ All-steel hypoid gear design transmits torque more efficiently for more torque density in a compact unit

Product Description

The Sumitomo Hyponic® Gearmotor represents 60 years of excellence in the design and manufacture of premium gearing solutions. With millions of Hyponics currently in service, the product features a compact, modular housing, **maintenance-free grease lubrication and high efficiency operation**. Options include C-face quill design; unique FKM antimicrobial, multi-lipped rotary output seal; corrosion resistant, stainless output shaft and hardware; and synthetic NSF H-1, food-grade lubricant. NSF51 antimicrobial powder coating makes Hyponic® the ideal choice for food, beverage, and pharmaceutical industries. Sumitomo's patented, all-steel hypoid gear technology leads the industry in quiet operation and high efficiency. The Hyponic® significantly outperforms worm gearing across ratios from 30:1 to 1440:1.

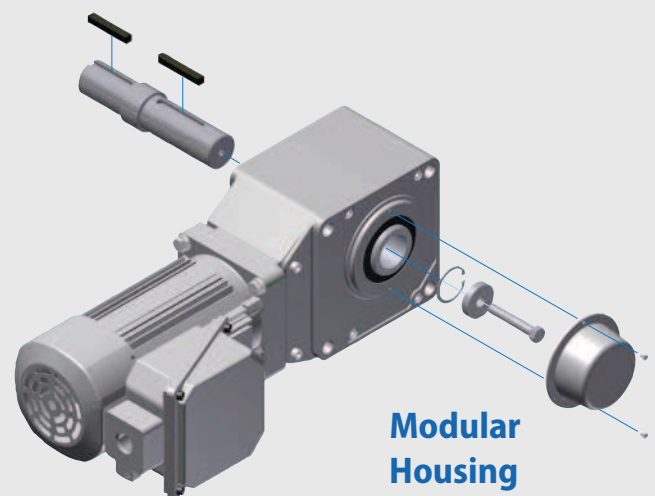
Features & Benefits

- Patented Hyponic gear technology is **up to 85% efficient** across all ratios and requires no cooling fan
- **NSF 51 approved antimicrobial powder coating** protects against the growth of bacteria, mold, and fungus.
- **All-steel hypoid gear design** transmits torque more efficiently for more torque density in a compact unit
- **Maintenance-free grease lubrication** eliminates oil changes
- **Compact, lightweight** design in an aluminum, corrosion resistant housing with optional washdown protection
- Hollow bore makes **installation and retrofit quick and easy**
- **Extremely quiet**, smooth operation is ideal for commercial use
- **Two-Year warranty**
- Optional, popular keyed-hollow bore sizes available from stock: 1-3/16", 1-7/16", 1-15/16", 2-3/16"

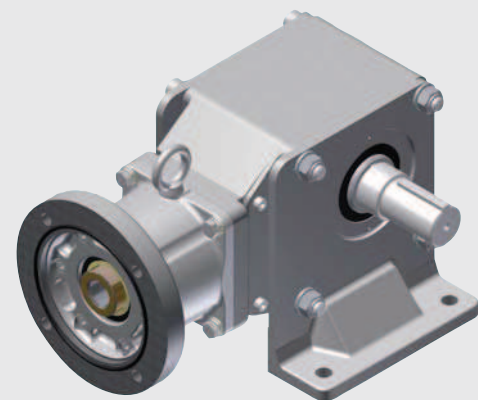
Specifications

Ratios:	5:1 up to 1440:1
HP:	1/8 to 15 HP
Maximum Torque:	13,100 in-lbs.
Electrical:	230/460 VAC (Single and 3-Phase)
Housing:	Lightweight, corrosion-resistant aluminum
Mounting:	Flange, Bolt-On Feet
Shafts:	Hollow, Solid
Input:	Quill, C-Face Adapter or Integral Motor

► Optional plug-in shaft and bolt-on feet enhance Hyponic® mounting flexibility



Modular Housing



C-Face Quill Adapter, Plug-in Shaft, Foot Mount

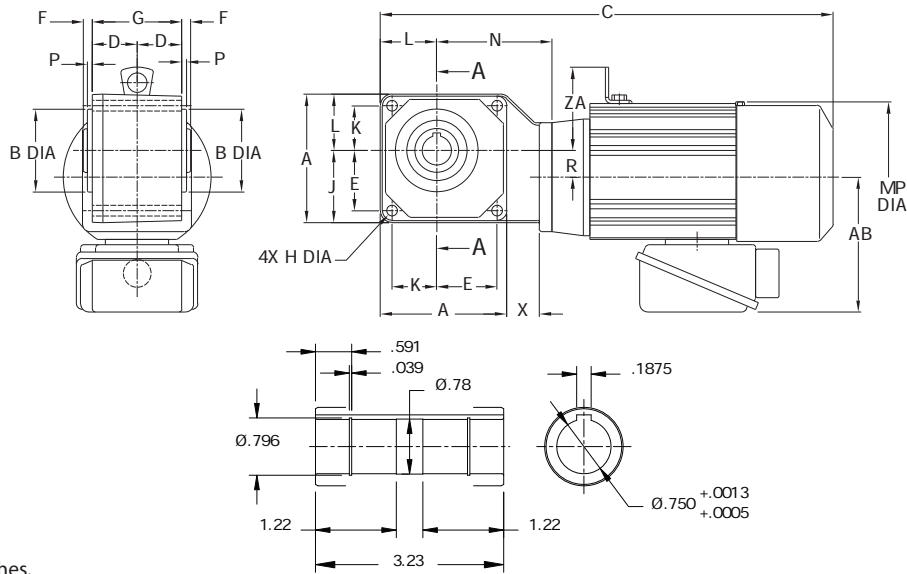


► Applications

- Bottling & Food Processing
- Commercial Bakery Lines
- Pharmaceutical Machinery
- Automotive Assembly Plants
- Conveyor Lines & Material Handling
- Wood Processing & Paper Products
- Residential Elevators & Lifts
- Automated Bay & Dock Door Drives
- Crushers
- Dehydrators
- Packaging

Dimensions

Frame Size 1100 RNYM-1120Y



All dimensions are in inches.

Gearmotors

Model	A	B min	B max	D	E	F	G	H	J	K	L	N	P	R	X
1120	3.54	2.046	2.047	1.30	1.65	0.31	2.60	0.26	1.97	1.26	1.57	3.23	.240	0.79	0.87

Dimensions

Standard Three-Phase Motor

Model	Motor HP	AB	ZA	Motor			Brakemotor		
				C	MP	Wt. (lbs.)	C	MP	Wt. (lbs.)
RNYM01-1120Y(-B)-5~60	1/8	5.04	-	10.55	4.69	13	11.93	4.88	17
RNYM02-1120Y(-B)-5~30	1/4	5.04	-	12.20	4.88	15	13.46	4.88	19



Tel: (55) 5573-5850, 5573-5837; 5513-0252, 5655-2302
 ventas@energiacontrolada.com